

Fortress Fe²⁶ 2" Post Mounting Applications (USA)

It is the responsibility of the installer to meet all code and safety requirements, and to obtain all required building permits. The deck and railing installer should determine and implement appropriate installation techniques for each installation situation. The Fortress Company or its distributors shall not be held liable for improper or unsafe installations.

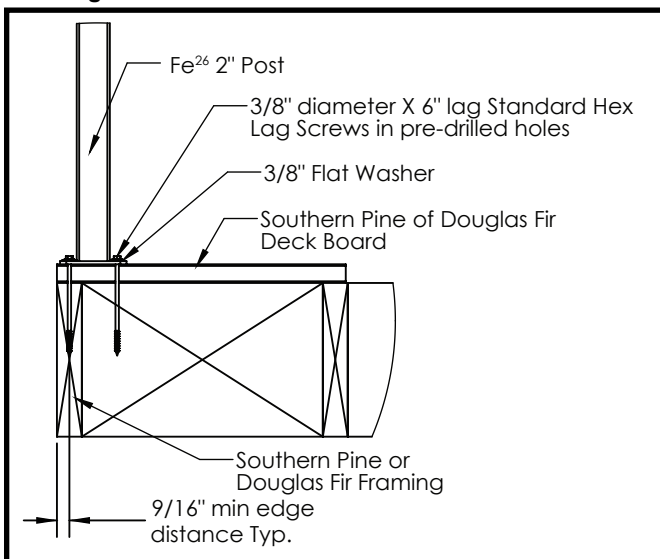
Fortress Fe²⁶ Posts must always be secured to the deck framing. Fortress Fe²⁶ Posts should never be attached to only the deck boards.

Note

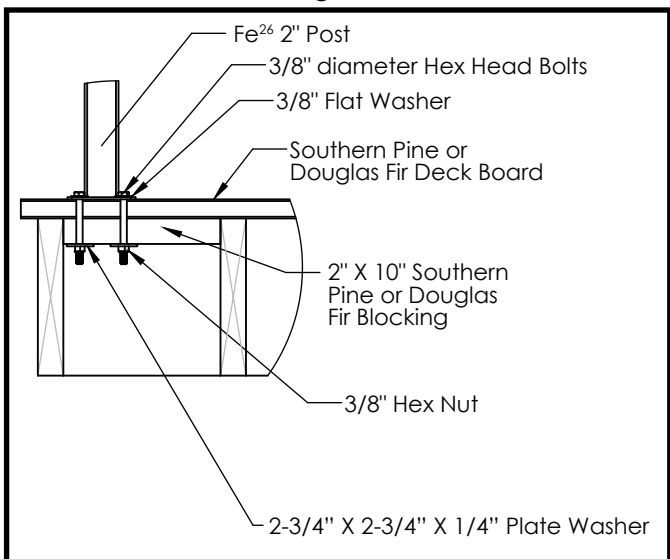
When cutting Fortress railing, it is very important to complete the following at cut points. Not following the below steps will result in rust at the cut areas:

- Remove all metal shavings from the cut area
- File any sharp edges left by cutting. Thoroughly wipe and remove any filings, grime or dirt from the railing.
- Apply two coats of Fortress zinc based touch-up paint to the cut area. Allow paint to dry.
- Be sure to remove any metal shavings from the surface of deck, patio or balcony to prevent rust on the surface.

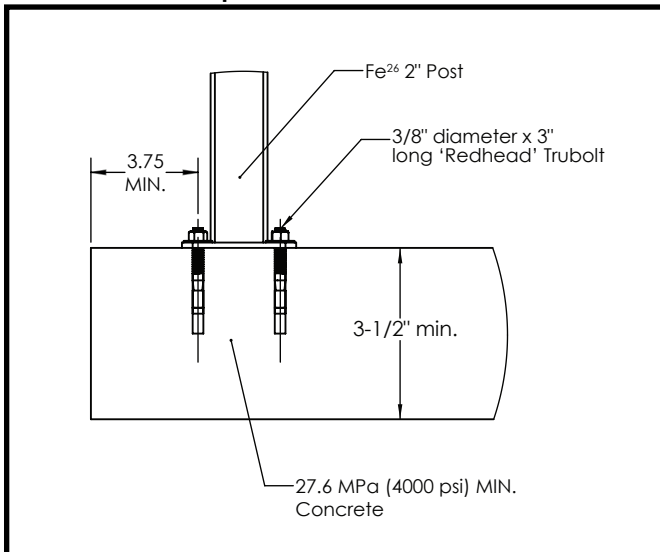
Fe²⁶ 2 Inch Post Top Mount To Southern Yellow Pine or Douglas Fir Floor Joist Mounted Parallel



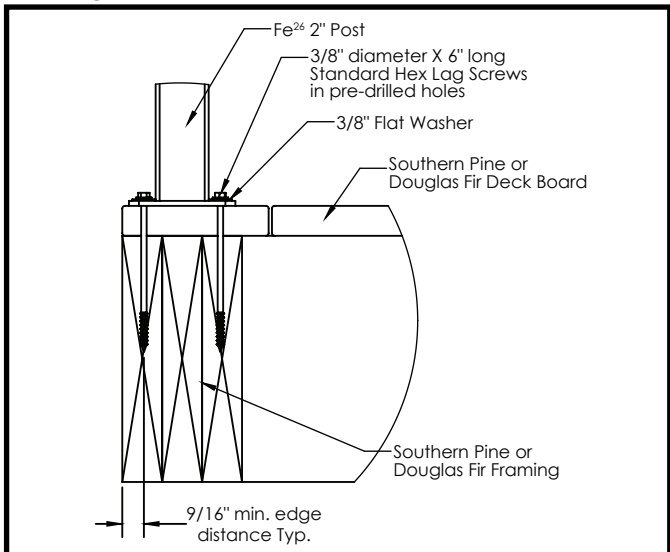
Fe²⁶ 2 Inch Post with through bolt & washers on bottom



Fe²⁶ 2 Inch Post Top Mount To Concrete



Fe²⁶ 2 Inch Post Top Mount To Southern Pine or Douglas Fir Floor Joist Mounted Perpendicular



For technical assistance, please email: technicalhelp@fortressrailing.com
 Hours of Operation: Monday through Friday 8:00 AM to 5:00 PM, CST
 Phone: 1-866-323-4766 Fax: 972-644-3720
www.fortressrailing.com

Fortress Fe²⁶ 3" Post Mounting Applications (USA)

It is the responsibility of the installer to meet all code and safety requirements, and to obtain all required building permits. The deck and railing installer should determine and implement appropriate installation techniques for each installation situation. The Fortress Company or its distributors shall not be held liable for improper or unsafe installations.

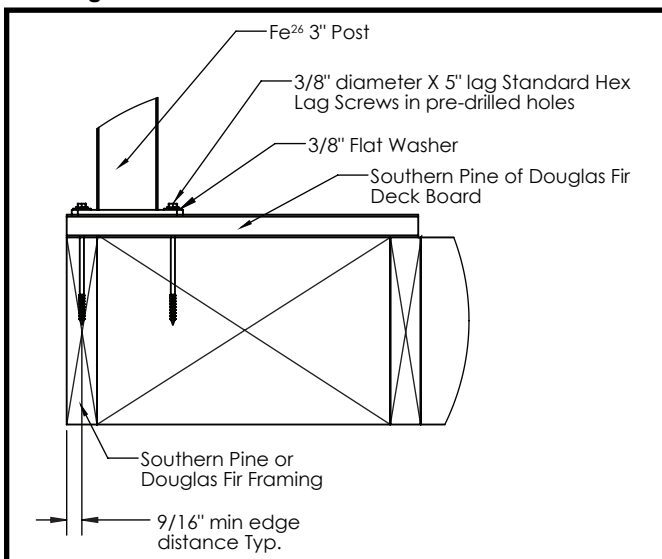
Fortress Fe²⁶ Posts must always be secured to the deck framing. Fortress Fe²⁶ Posts should never be attached to only the deck boards.

Note

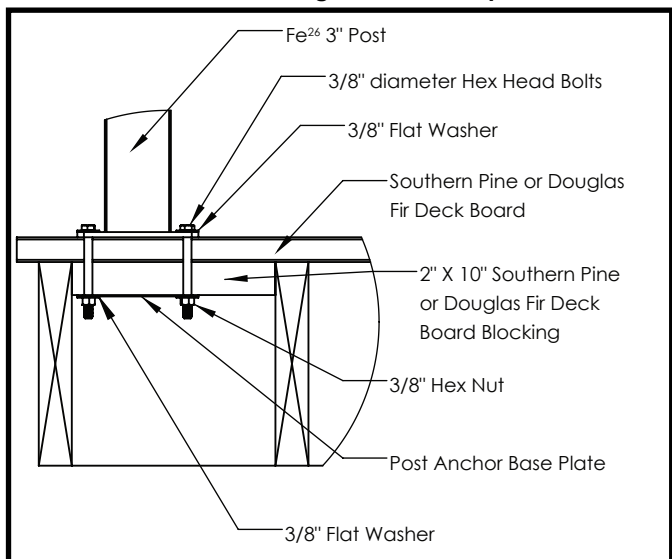
When cutting Fortress railing, it is very important to complete the following at cut points. Not following the below steps will result in rust at the cut areas:

- Remove all metal shavings from the cut area
- File any sharp edges left by cutting. Thoroughly wipe and remove any filings, grime or dirt from the railing.
- Apply two coats of Fortress zinc based touch-up paint to the cut area. Allow paint to dry.
- Be sure to remove any metal shavings from the surface of deck, patio or balcony to prevent rust on the surface.

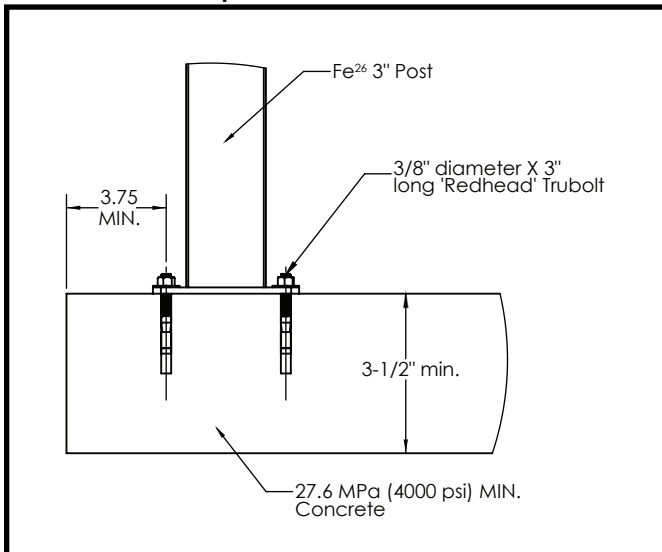
Fe²⁶ 3 Inch Post Top Mount to Southern Yellow Pine or Douglas Fir Floor Joist Mounted Parallel



Fe²⁶ 3 Inch Post with through bolt & base plate on bottom



Fe²⁶ 3 Inch Post Top Mount To Concrete



Fe²⁶ 3 Inch Post Top Mount To Southern Pine or Douglas Fir Floor Joist Mounted Perpendicular

