

# Installation Instructions for Fortress Fe<sup>26</sup> Traditional Panels with Collar (CB) Brackets and Fe<sup>26</sup> Posts

It is the responsibility of the installer to meet all code and safety requirements, and to obtain all required building permits. The deck and railing installer should determine and implement appropriate installation techniques for each installation situation. The Fortress Company or its distributors shall not be held liable for improper or unsafe installations.

Fortress Fe<sup>26</sup> Posts must always be secured to the deck framing. Fortress Fe<sup>26</sup> Posts should never be attached to only the deck boards.

## Note

When cutting Fortress railing, it is very important to complete the following at cut points. Not following the below steps will result in rust at the cut areas:

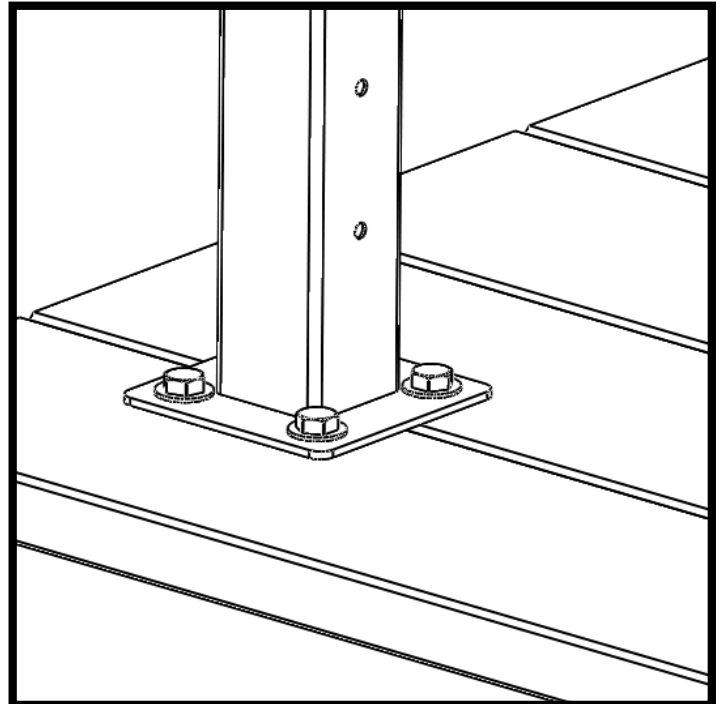
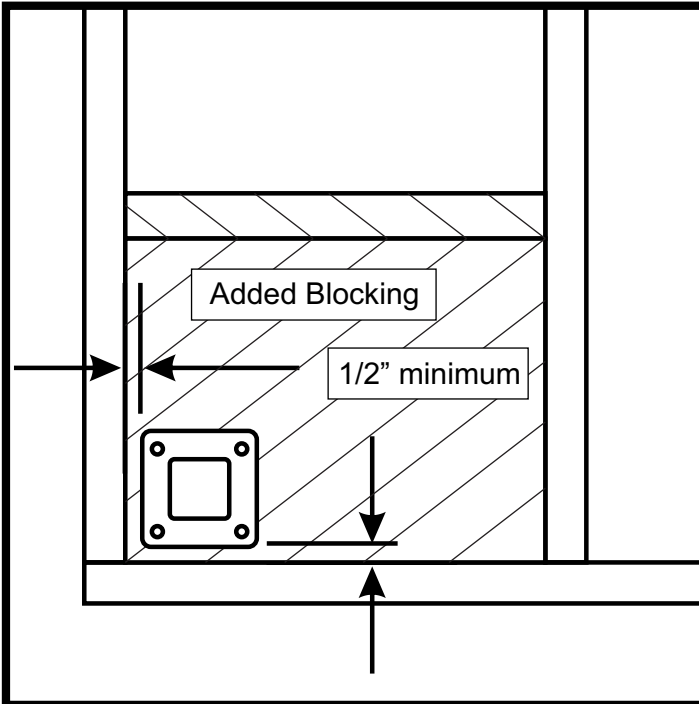
- Remove all metal shavings from the cut area
- File any sharp edges left by cutting. Thoroughly wipe and remove any filings, grime or dirt from the railing.
- Apply two coats of Fortress zinc based touch-up paint to the cut area. If touch up is at rail ends, allow paint to dry before connecting bracket to post.
- Be sure to remove any metal shavings from the surface of deck, patio or balcony to prevent rust on the surface.

## Required Materials

Drill, Drill Bits, T-25 Driver Bit, Drill Bit Extender, Tape Measure, Wrenches, Speed Square, Center Punch, 3-3/4" Support and Hammer.

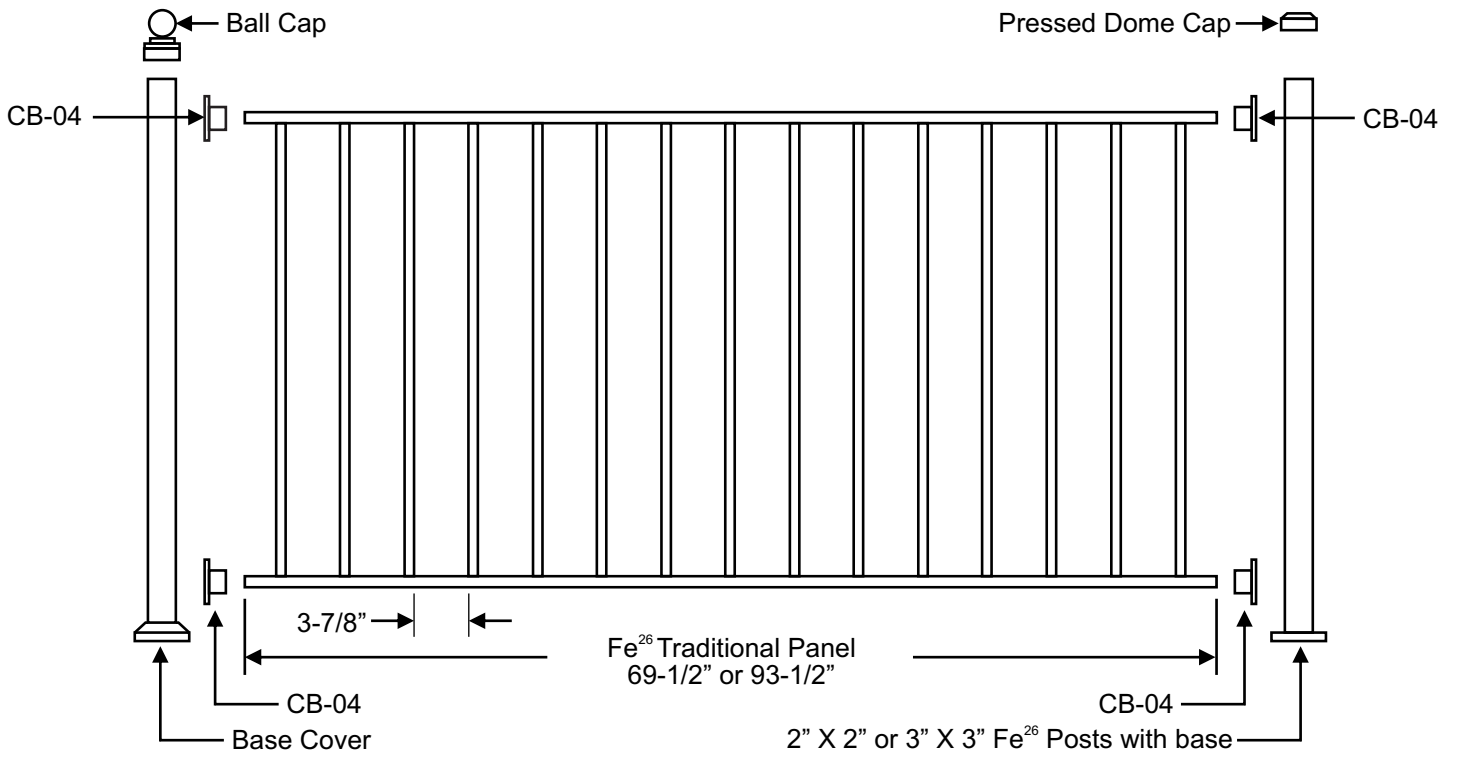
## Mount Fe<sup>26</sup> Posts\*

- Wood Blocking tied to deck frame must be installed and constructed with treated dimensional lumber with a minimum thickness of 1/1/2".
- Position the edge of Fe<sup>26</sup> Post base plate a minimum of 1/2" from the inside edge of rim joist.
- Mount Fe<sup>26</sup> Posts at appropriate points based on panel length.
- Attach Fe<sup>26</sup> Posts with 3/8 X 3-1/2" Hex Head Galvanized Bolts.

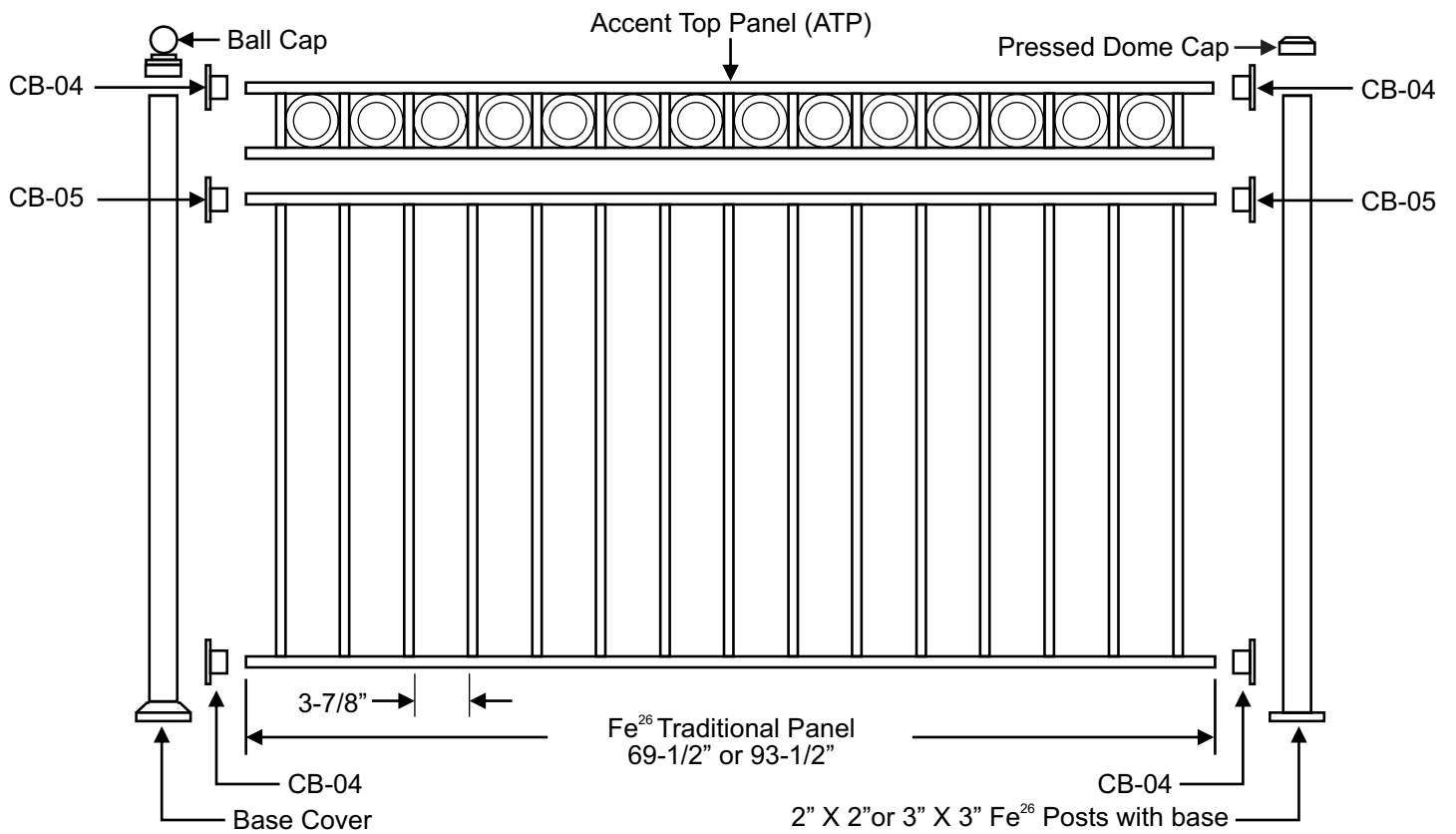


\*Reference Fortress Fe<sup>26</sup> post mounting instructions

## Fe<sup>26</sup> Traditional Panel Installation Options



## Fe<sup>26</sup> Traditional Panel with Accent Top Panel Installation Options



## Fe<sup>26</sup> Traditional Panel and Fe<sup>26</sup> Post Configurations

Railing Panel Height

28"
34"
40"

### Railing Panel Only

Installed Panel Height\*

X
37-3/4"
43-3/4"

Required Post

X
39-1/2"
45-1/2"

### Railing Panel with Accent Top Panel

Installed Panel Height with ATP\*

36-11/16"
42-11/16"
X

Required Post

39-1/2"
45-1/2"
X

\*Heights includes a 3-3/4" space between deck surface and bottom edge of bottom rail.

## CB-04 Bracket Hole Locations for Fe<sup>26</sup> Traditional Panel Installations

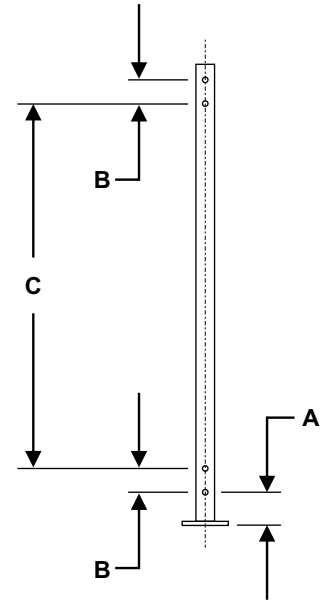
Pre-Drilling with a 5/32" drill bit is required.

Railing Panel Height

28"
34"
40"

### Pre-Drill Dimensions

A*	B	C
X	X	X
3-1/8"	2-1/4"	30-3/4"
3-1/8"	2-1/4"	36-3/4"



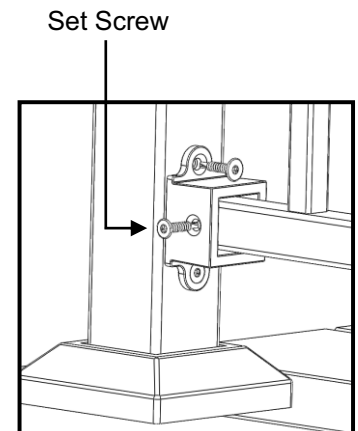
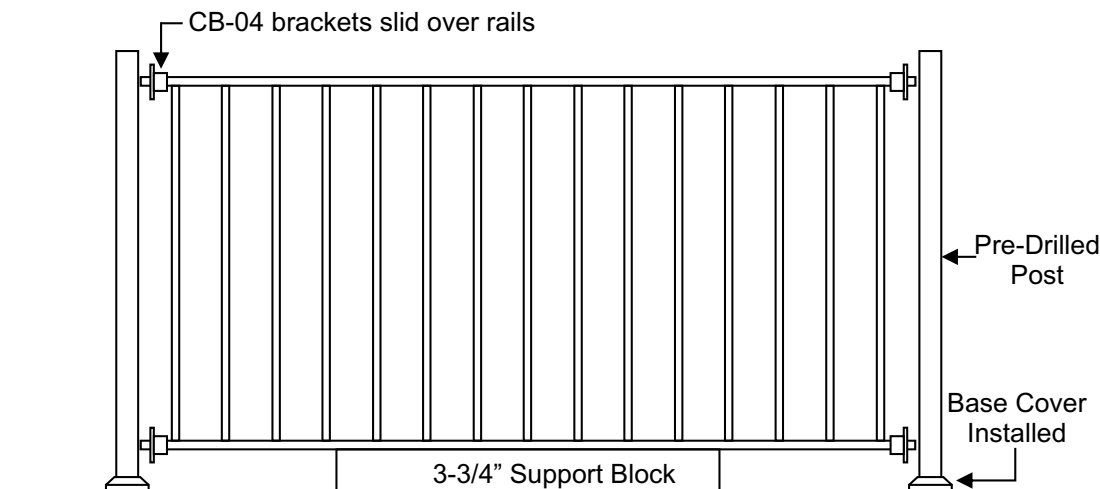
\*Dimension A positions bottom edge of rail 3-3/4" above deck surface.

\*Dimension A is measured from the bottom surface of post base.

Remove all metal shavings from deck, post base cover, post, and panel before bracket is screwed to post to prevent rust stains.

## Fe<sup>26</sup> Traditional Panel Installation with CB-04

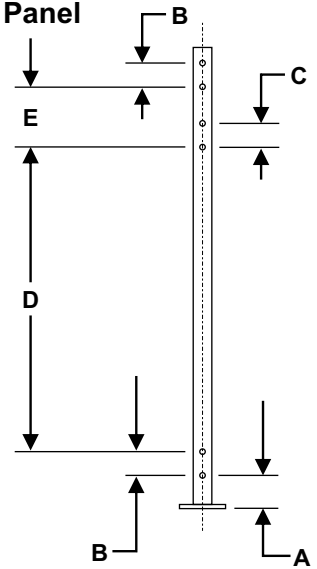
- If rails were cut to length, file cut edges and coat with 2 coats of Fortress zinc based touch-up paint.
- Check fit of rail between installed posts.
- If using a Base Cover install it now by sliding over the top of Fe<sup>26</sup> Post.
- Slide a CB-04 bracket over the end of each rail. Make sure that all set screw holes face the desired direction.
- Place rail assembly on 3-3/4" support block between posts.
- Slide CB-04 brackets to post and secure with provided metal screws. Use low speed setting on drill.
- Secure rails with provided set screws at each CB-04 bracket.



## CB Bracket Hole Locations for Fe<sup>26</sup> Traditional Panel Installations with Accent Top Panel

Pre-Drilling with a 5/32" drill bit is required.

Rail Panel Height	ATP Panel Height	Pre-Drill Dimensions				
		A*	B	C	D	E
28"	5"	3-1/8"	2-1/4"	2-3/8"	24-11/16"	5"
34"	5"	3-1/8"	2-1/4"	2-3/8"	30-11/16"	5"
40"	5"	X	X	X	X	X



- \*Dimension A positions bottom edge of rail 3-3/4" above deck surface.
- \*Dimension A is measured from the bottom surface of post base.

Remove all metal shavings from deck, post base cover, post, and panel before bracket is screwed to post to prevent rust stains.

## Fe<sup>26</sup> Traditional Panel with Accent Top Panel (ATP) Installation with CB-04 and CB-05

- If rails were cut to length, file cut edges and coat with 2 coats of Fortress zinc based touch-up paint.
- Check fit of rail between installed posts.
- If using a Base Cover install it now by sliding over the top of Fe<sup>26</sup> Post.
- Slide ATP panel over the top rail of the Fe<sup>26</sup> Traditional Panel
- Slide a CB-04 bracket over the end of each rail. Slide a CB-05 over the end of each ATP bottom rail.
- Make sure that all set screw holes face the desired direction.
- Rest rail assembly on 3-3/4" support block between posts.
- Slide CB-04 and CB-05 brackets to post and secure with provided metal screws. Use low speed setting on drill.
- Secure rails with provided set screws at each CB-04 and CB-05 bracket.

