



Installation Instructions for Fortress Fe²⁶ Traditional Panels with Patio Brackets and Fe²⁶ Posts

Fortress Fe²⁶ Patio Brackets are not code tested and are intended for on grade installations only. Consult your local building code as allowed installation heights will vary by local building code.

It is the responsibility of the installer to meet all code and safety requirements, and to obtain all required building permits. The deck and railing installer should determine and implement appropriate installation techniques for each installation situation. The Fortress Company or its distributors shall not be held liable for improper or unsafe installations.

Fortress Fe²⁶ Posts must always be secured to the deck framing. Fortress Fe²⁶ Posts should never be attached to only the deck boards.

Note

When cutting Fortress railing, it is very important to complete the following at cut points. Not following the below steps will result in rust at the cut areas:

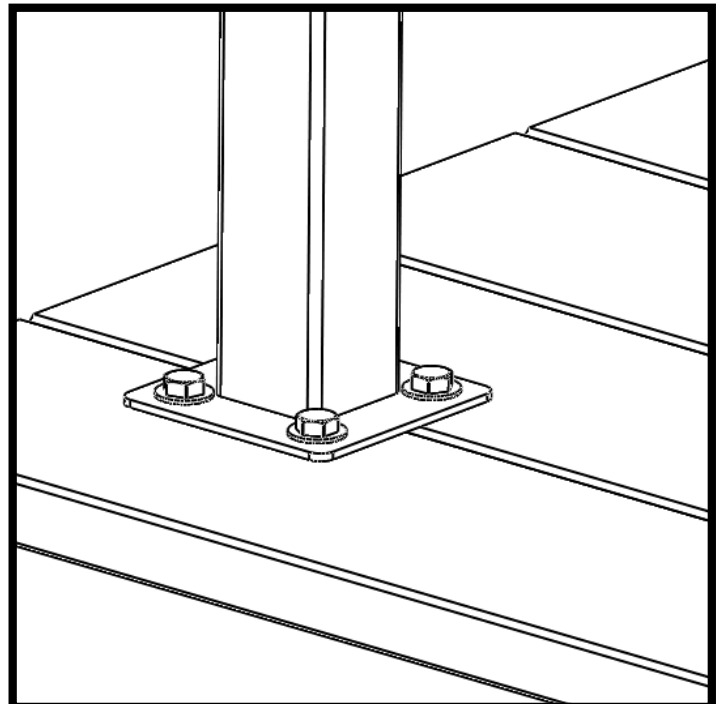
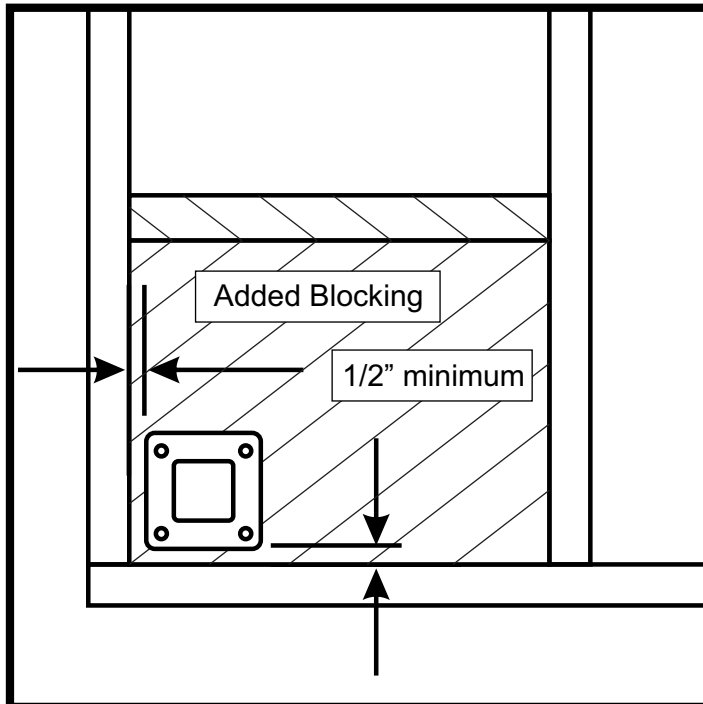
- Remove all metal shavings from the cut area
- File any sharp edges left by cutting. Thoroughly wipe and remove any filings, grime or dirt from the railing.
- Apply two coats of Fortress zinc based touch-up paint to the cut area. If touch up is at rail ends, allow paint to dry before connecting bracket to post.
- Be sure to remove any metal shavings from the surface of deck, patio or balcony to prevent stains on the surface.

Required Materials

Drill, Drill Bits, T-25 Driver Bit, Drill Bit Extender, Tape Measure, Wrenches, Speed Square, Center Punch, 3-3/4" Support and Hammer.

Mount Fe²⁶ Posts*

- Wood Blocking tied to deck frame must be installed and constructed with treated dimensional lumber with a minimum thickness of 1/1/2".
- Position the edge of Fe²⁶ Post base plate a minimum of 1/2" from the inside edge of rim joist.
- Mount Fe²⁶ Posts at appropriate points based on panel length.
- Attach Fe²⁶ Posts with 3/8 X 3-1/2" Hex Head Galvanized Bolts.

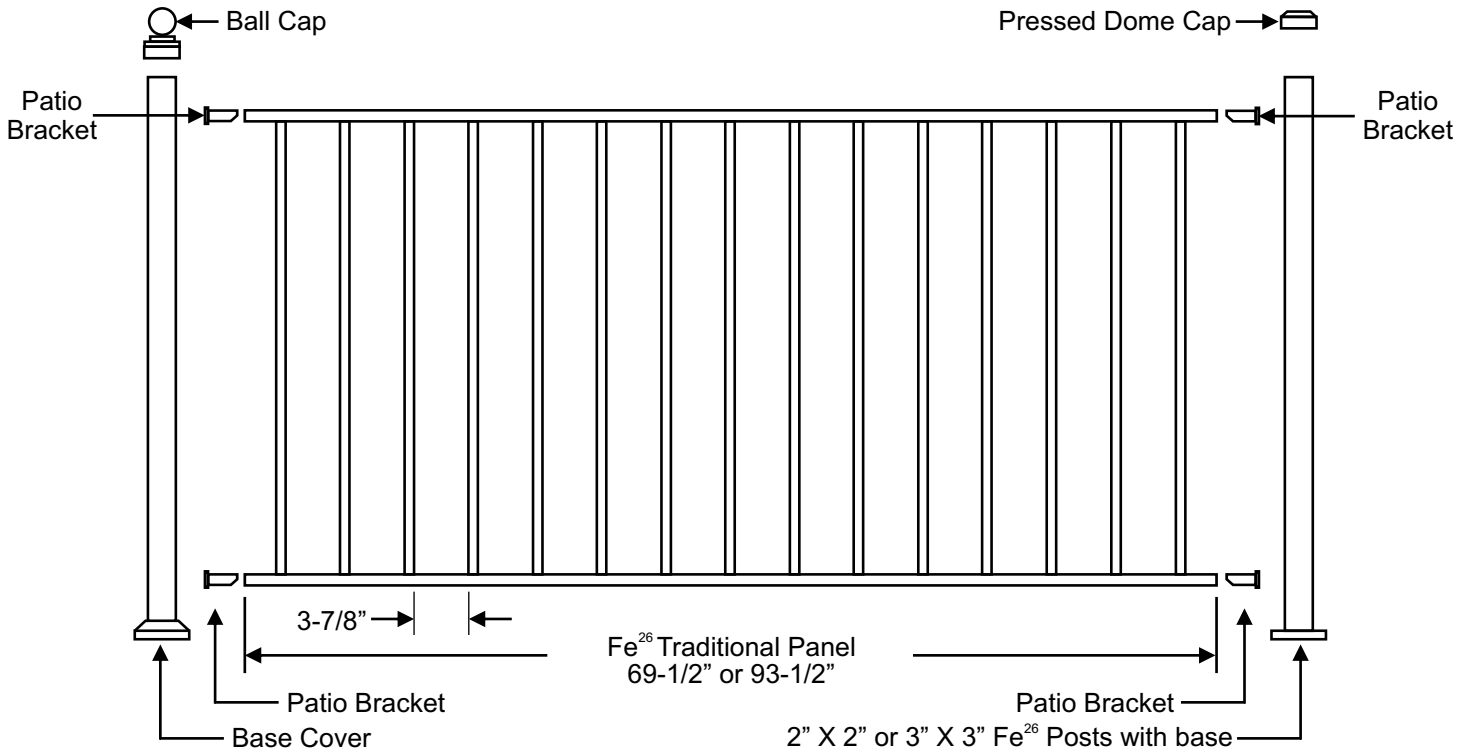


*Reference Fortress Fe²⁶ Post mounting instructions

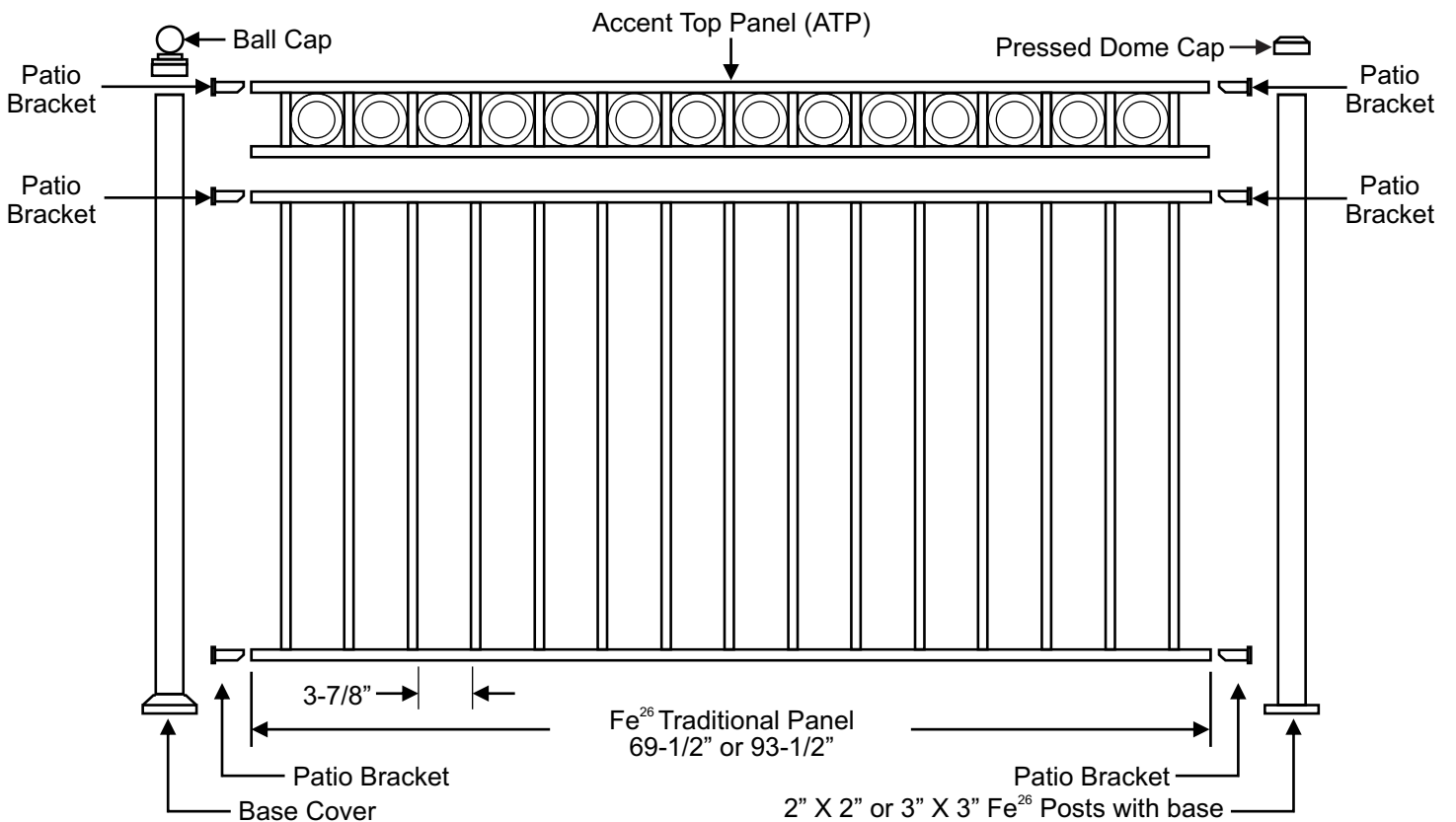
For technical assistance, please email: technicalhelp@fortressrailing.com
Hours of Operation Monday through Friday 8:00 AM to 5:00 PM, CST
Phone: 1-866-323-4766 Fax: 972-644-3720
www.fortressrailing.com

Fortress Fe²⁶ Patio Brackets are not code tested and are intended for on grade installations only. Consult your local building code as allowed installation heights will vary by local building code.

Fe²⁶ Traditional Panel Installation Options

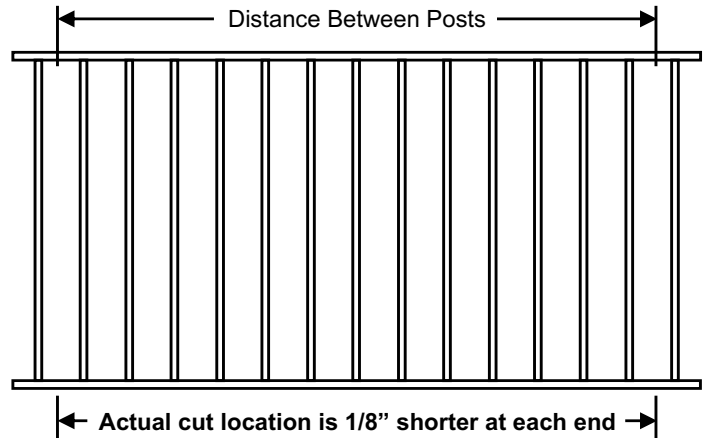


Fe²⁶ Traditional Panel with Accent Top Panel Installation Options

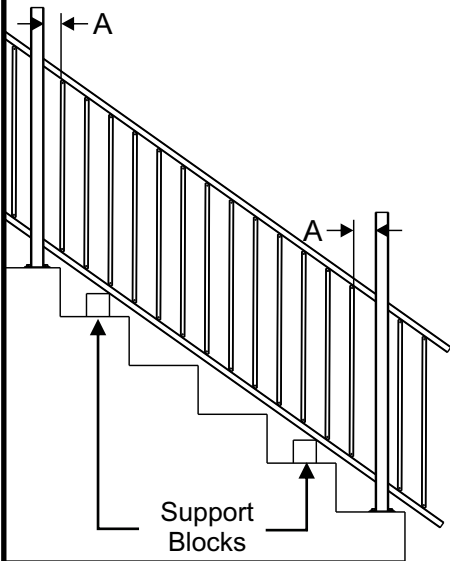


Measure and Cut Fortress Fe²⁶ Traditional Panels for Straight Installations

- Measure the distance between Fe²⁶ Posts.
- Transfer that measurement to the Fe²⁶ Panel. Make sure that baluster spacing is equal at each end of Fe²⁶ Panel.
- To allow for the thickness of the Patio Bracket, subtract 1/8" from measurement at each end.
- Lay panel on a flat surface.
- Using a metal cutting blade, cut the rail at the four cutting mark locations. It is advisable to make a practice cut on a scrap piece of rail before proceeding with the finish cuts.

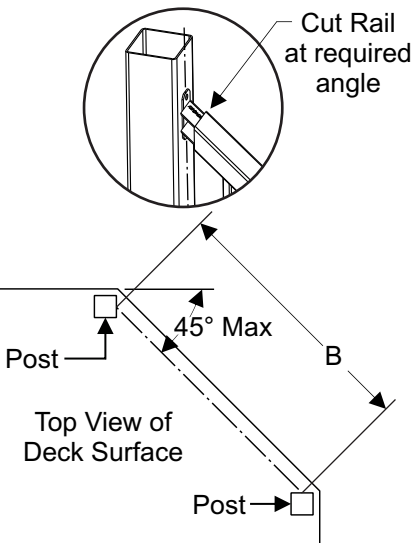


Determine Rake and Cut Fortress Fe²⁶ Adjustable Panels for Stair Installations



- Use Fe²⁶ Adjustable Panel to determine the angle of stair installation. To do this, use support blocks resting on the stair tread. Position support blocks so that the position of the bottom rail meets the spacing requirement of your building code.
- Rake the panel so that the balusters run parallel with the posts. Center the balusters so that there is an equal amount of rail between the post and baluster at each end (Dimension A).
- Using a pencil mark the angle of the rail at the post at all four corners.
- To allow for the thickness of the Patio Bracket, subtract 1/8" from measurement at each end.
- Lay panel on a flat surface.
- Using a metal cutting blade, cut the rail at the four cutting mark locations. It is advisable to make a practice cut on a scrap piece of rail before proceeding with the finish cuts.

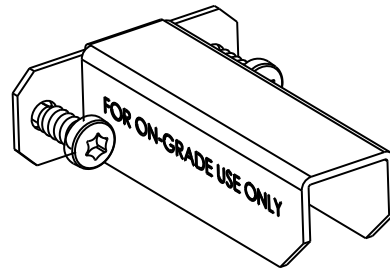
Determine Miter and Cut Fortress Fe²⁶ Traditional Panels for Miter Installations



- On the post surfaces where the Patio Bracket will be attached mark the vertical centerline of post. Measure the distance between centerlines of each post (Dimension B). Measure at the top and bottom of post to confirm that both posts are square.
- To allow for the thickness of the Patio Bracket, subtract 1/8" from measurement at each end.
- Lay panel on a flat surface.
- Using a metal cutting blade, cut the rail at the four cutting mark locations. It is advisable to make a practice cut on a scrap piece of rail before proceeding with the finish cuts.

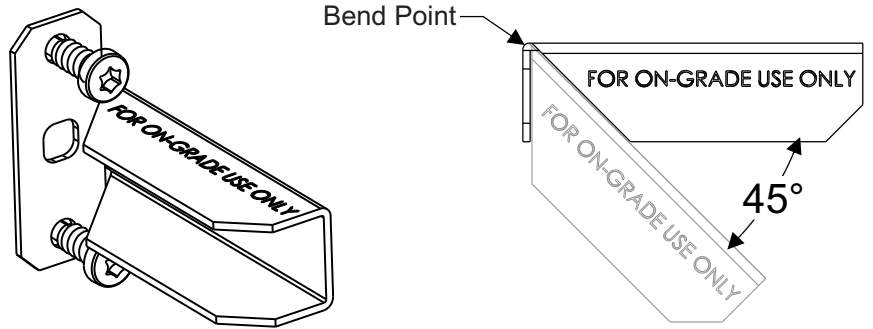
Straight Installation

- For straight installations
- Bracket must be installed with screw holes in a horizontal position
- Pre-drill screw locations with a 5/32" Drill Bit



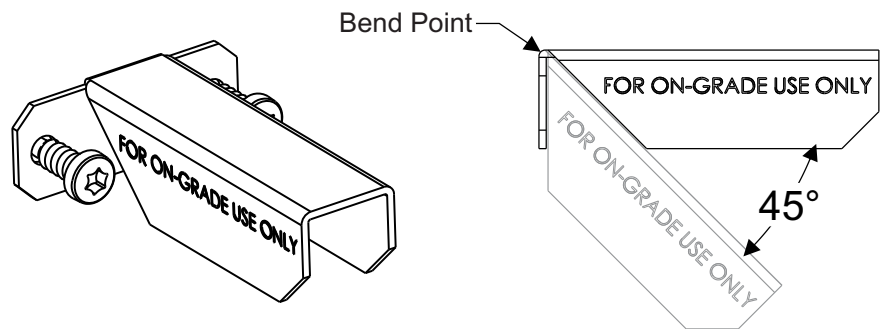
Miter Installation

- For miter installations up to 45°
- Bracket must be installed with screw holes in a vertical position
- Bracket must be bent to desired angle.
- If powder coat is cracked while bending to desired angle, use Fortress zinc based touch-up paint to repair the cracked finish.
- Pre-drill screw locations with a 5/32" Drill Bit



Stair Installation

- For stair installations up to 45°
- Bracket must be installed with screw holes in a horizontal position.
- Bracket must be bent to desired angle.
- If powder coat is cracked while bending to desired angle, use Fortress zinc based touch-up paint to repair the cracked finish.
- Pre-drill screw locations with a 5/32" Drill Bit



Fe²⁶ Traditional Panel Installation with Patio Bracket

- Slide a Patio Bracket into the end of each rail.
- If installing in a miter or stair application bend Patio Bracket to match the end cut of rail.
- Check fit of rail between installed Fe²⁶ Posts.
- If using a Base Cover install it now by sliding over the top of Fe²⁶ Post.
- Place rail assembly on support block between posts.
- Center Panel on the Fe²⁶ Posts and mark hole locations with a center punch.
- Pre-drill holes with a 5/32" drill bit.
- Secure with provided metal screws. Use low speed setting on drill.

