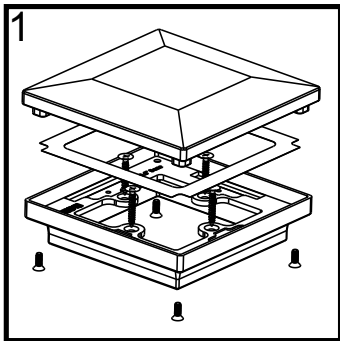




Installation Instructions 3.5", 4", 5" and 6" Flat Pyramid Caps Installed on Wood or Composite Posts

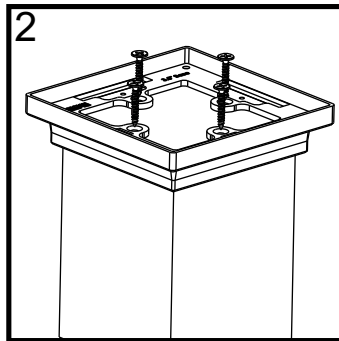
It is the responsibility of the installer to meet all code and safety requirements. The installer should determine and implement the appropriate installation techniques for each situation. The Fortress Company nor its distributors shall not be held liable for improper or unsafe installations.

Required Materials: Phillips Head Screw Driver, Drill, 1/8" Drill Bit, Eye Protection



1. The following components are included with the FortressAccents 3.5", 4", 5", and 6" Flat Pyramid Caps: Post Cap, Post Cap Base, Light Slot Cover, 4 - Machine Screws, and 4 - #10 X 3/4" Wood Screws. Note: 5" and 6" Flat Pyramid Caps include a Composite Adapter with 4 - Pan Head Machine Screws.

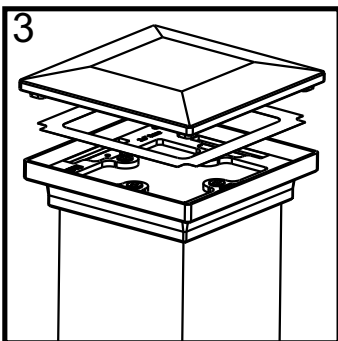
Remove the 4 Machine Screws, located at each corner. Remove the Post Cap and Light Slot Cover. **Do not discard the screws.** They will be used again.



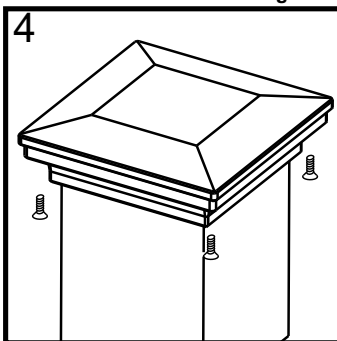
2. Place the Post Cap Base on the post and mark hole locations. Pre-drill holes with a 1/8" drill bit. Using the 4 supplied #10 X 3/4" Wood Screws, attach the Post Cap Base to post.

If the Flat Pyramid Cap is being installed on a vinyl post without a wood post insert, use a silicon adhesive to secure the Post Cap Base.

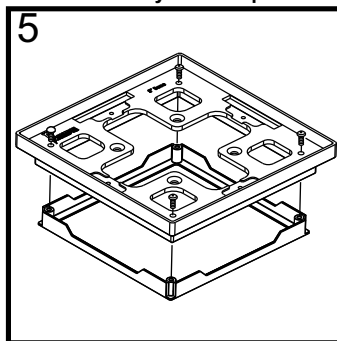
If installing the optional FortressAccents LED Cap Light Kit, reference those instructions before installing FortressAccents Flat Pyramid Cap.



3. Place Light Slot Cover back onto Post Cap Base. Position Post Cap onto the Post Cap Base.



4. Secure Post Cap with the 4 Machine Screws that were removed in step 1.



5. If installing FortressAccents 5" or 6" Flat Pyramid Caps, the adapter can be removed to allow cap to fit composite posts up to 5" and rough cut wood posts up to 6-1/8".

Please visit www.fortressaccents.com for information on how to order additional accessories.

For technical assistance, please email: technicalhelp@fortressrailing.com
Hours of Operation Monday through Friday 8:00 AM to 5:00 PM, CST
Phone: 1-866-323-4766 Fax: 972-644-3720
www.fortressaccents.com